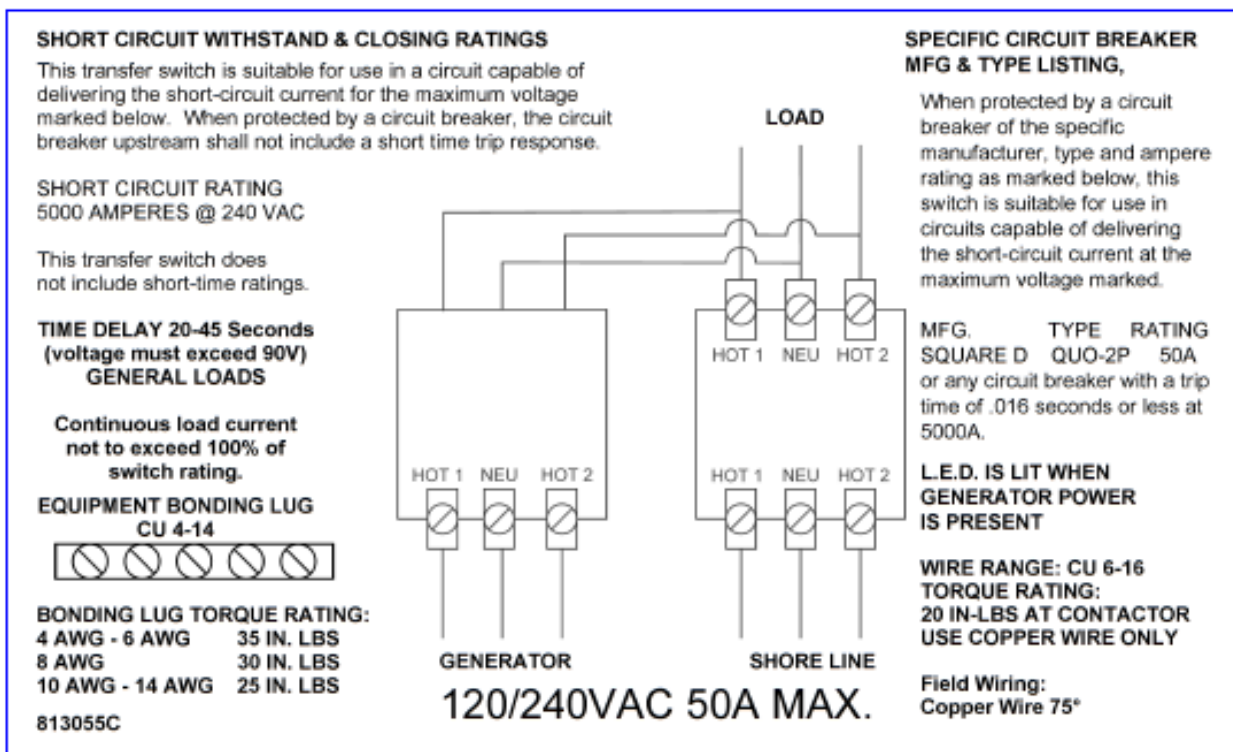


# PD52 Transfer Switch Inspection and Testing



## Inspection:

Verify proper wiring on the SHORE LINE, GENERATOR, LOAD and GROUND connections according to the diagram.

HOT 1 - Black

HOT 2 - Red

NEUTRAL - White

GROUND - Bare or Green

Loosen and retorquing the lugs to the specifications in the chart above.

Caution, over torquing may cause damage to the lugs.

## Operational Test:

Activate Shore Power; verify activation of the contactor and that voltage is transferred to the LOAD.

PASSED

Activate Generator; after a time-delay of 20 to 45 seconds, the shore power contactor is deactivated, and the generator contactor is engaged, and that voltage is transferred to the LOAD.

PASSED

Turn off the Generator; the generator contactor will deactivate, and the shore power contactor will reactivate.

PASSED

This ensures proper operation of the Automatic Transfer Switch