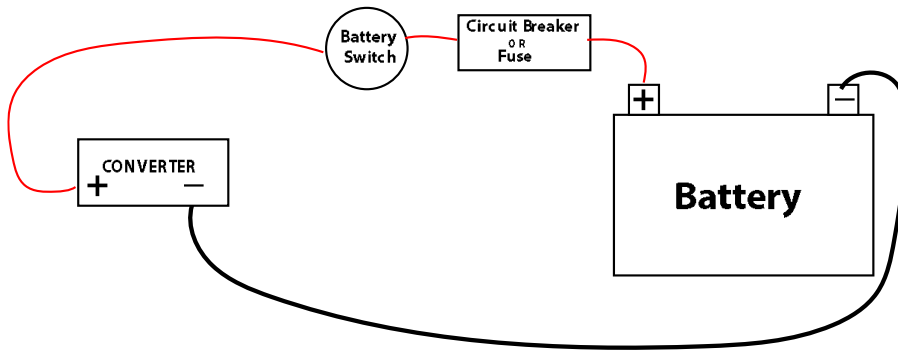
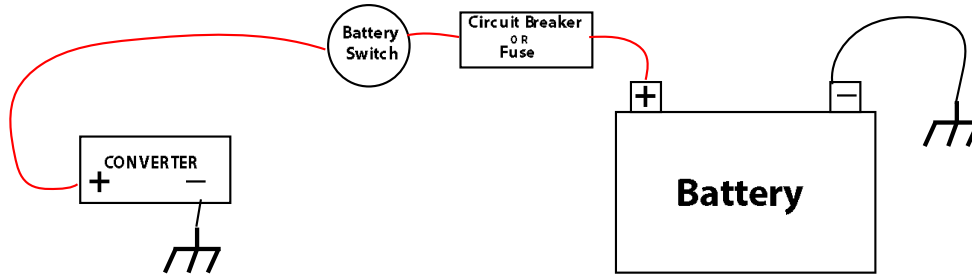




Wire Guage for Lithium Charging

Step 1. Determine the length of wire from the charger to the battery.



The length would be the total of the positive and negative path to the battery for charging.

Step 2.

Recommended for maximum charge rate			
Converter Amps	Distance of wire		
	10 feet or less	10 to 15 feet	15 to 20 feet
35	8 AWG	6 AWG	4 AWG
45	6 AWG	4 AWG	4 AWG
60	6 AWG	4 AWG	3 AWG
90	4 AWG	2 AWG	1 AWG

*Note the maximum AWG size that will fit in the converter is 4 AWG. An adaptive length must be used to connect.

Keeping the converter close to the battery bank is optimum.